

JUXTA F Series General Specification

Model FX3□-AM (Variable software type)
FX4□-AM (Fixed software type)
Analog Memory

JUXTA

1. GENERAL

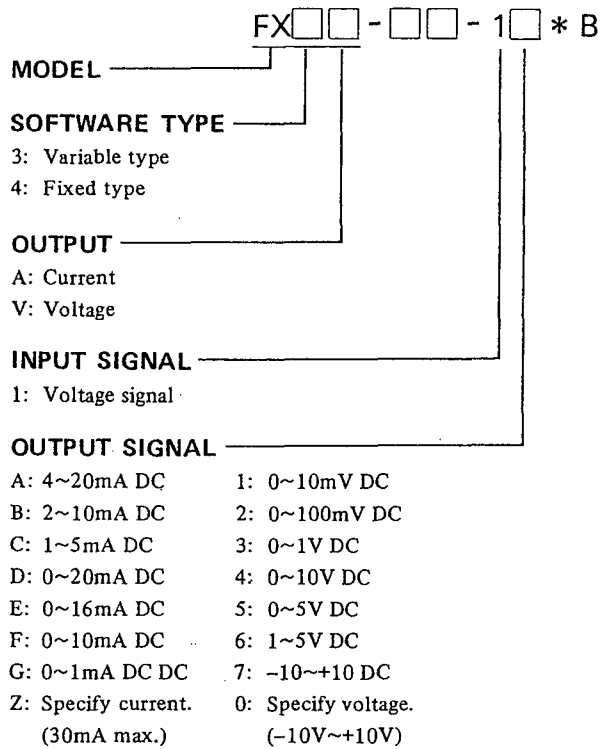
This is a variable of fixed software type computing unit which accepts two mV signal input points or one mV signal and one contact signal input point from various converters, and acts as a normal converter when hold command input is less than 25% (at hold command input ON) but when input of more than 75% (at hold command input OFF) is accepted, holds the output at that time.

2. SPECIFICATIONS

Model No.	FX3A-AM, FX3V-AM	FX4A-AM, FX4V-AM
Input signal	mV signal: 2 points	mV signal: 1 point Contact point input: 1 point
Measuring range	-2 to 10 mV (There is accuracy limitation for spans of more than 3 mV and less than 10 mV.) -10 to 50 mV (For span of more than 10 mV) -50 to 250 mV (For span of more than 50 mV) -100 to 1250 mV (For span of more than 250 mV (*1))	
Input resistance	1 MΩ (At power failure: More than 3 KΩ)	
Output signal	4 to 20 mA, 2 to 10 mA, 1 to 5 mA, 0 to 20 mA, 0 to 16 mA, 0 to 10 mA or 0 to 1 mA DC 0 to 10 mV, 0 to 100 mV, 0 to 1 V, 0 to 10 V, 0 to 5 V, 1 to 5 V or -10 to +10 V DC	
Basic accuracy	±0.2% of measuring span	
Signal insulation	Between input signal and output signal/power supply circuits, and between output signal and power supply circuits	
Insulation resistance	Between input signal and output signal/power supply circuits Between output signal and power supply circuits: 100 MΩ/500 V DC	
Dielectric strength	Between input signal and output signal/power supply circuits: 1500 V AC/min Between output signal and power supply circuits: 500 V AC/min	
Power supply voltage	24 V DC ±10%	
Ambient temperature/humidity	0 to 50°C (32 to 122°F) and 5 to 93% relative humidity (No condensation)	
Effect of ambient temperature	±0.2% of span for 10°C (50°F) change	
Effect of power supply voltage	±0.2% of span for 24 V DC ±10% variation	
Power consumption	24 V DC, 56 mA (Voltage output) and 24 V DC, 78 mA (Current output)	
Dimensions	72 (2.83") H × 24 (0.94") W × 127 (5.00") D mm (inch)	
Weight	Approx. 130 g	
Accessories	Tag number label : 1 sheet Mounting blocks: 2 pcs.	

(*1) Specify measuring range from □ to □mV.

Range accuracy for span of less than 10 mV: $0.2 \times 10 / (\text{mV input span}) \%$



Ordering Information

Input Measuring Range		
Range name	Allowable min. span	Allowable Measuring Range
HH	250 mV	-100 ~ 1250 mV
H	50 mV	-50 ~ 250 mV
L	10 mV	-10 ~ 50 mV
LL	3 mV	-2 ~ 10 mV
However, accuracy of less than 10 mV span is $0.2\% \times \frac{10 \text{ mV}}{\text{Input span (mV)}} (\%)$		
Recommended Input Range		
Voltage signal	0 ~ 10 mV DC 0 ~ 100 mV DC 0 ~ 1V DC	

OUTPUT RESISTANCE AND LOAD RESISTANCE

Output Signal	Load Resistance	Output Impedance
4 to 20mA DC	0 to 750Ω	5MΩ or more
2 to 10mA DC	0 to 1500Ω	
1 to 5mA DC	0 to 3000Ω	
0 to 20mA DC	0 to 750Ω	
0 to 16mA DC	0 to 900Ω	
0 to 10mA DC	0 to 1500Ω	
0 to 1mA DC	0 to 15kΩ	

Output Signal	Load Resistance	Output Impedance
0 to 10mV DC	100kΩ or more	100Ω or less
0 to 100mV DC		
0 to 1V DC	2kΩ or more	1Ω or less
0 to 5V DC		
1 to 5V DC		
0 to 10V DC	10kΩ or more	
-10 to +10V DC		

Subject to change without notice for grade up quality and performance